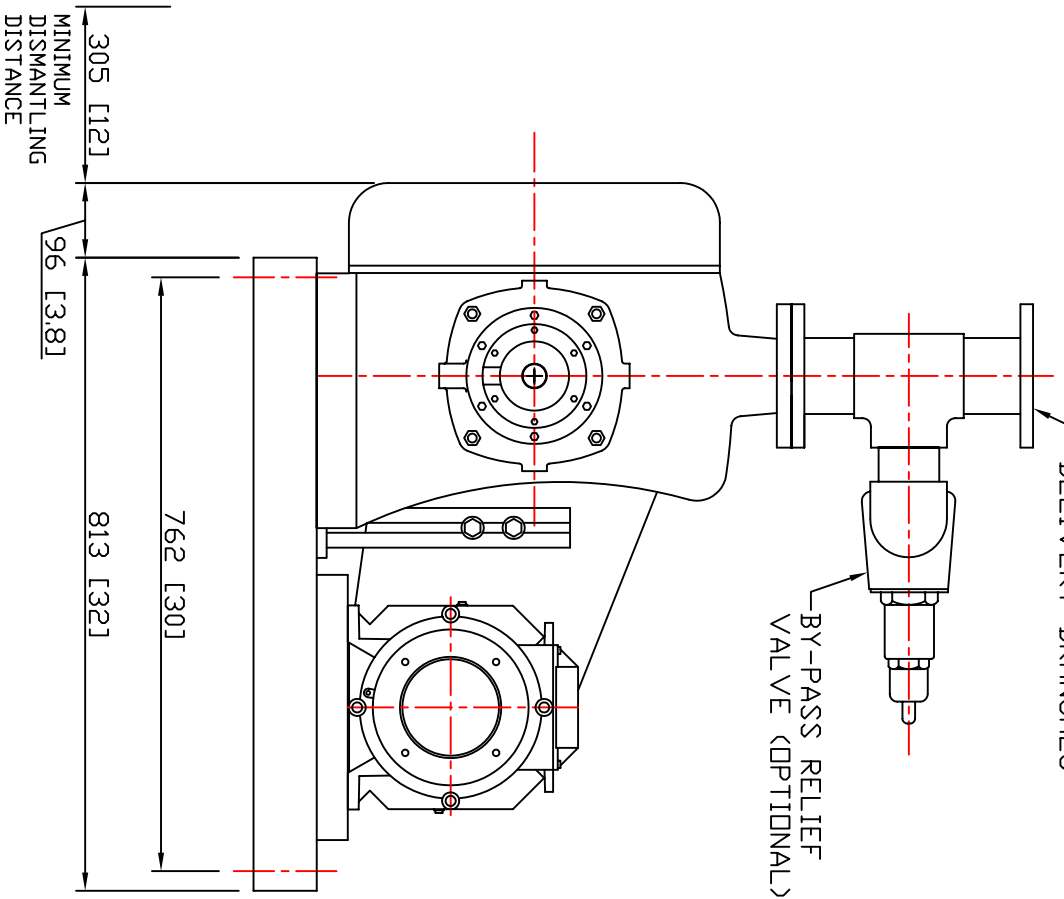


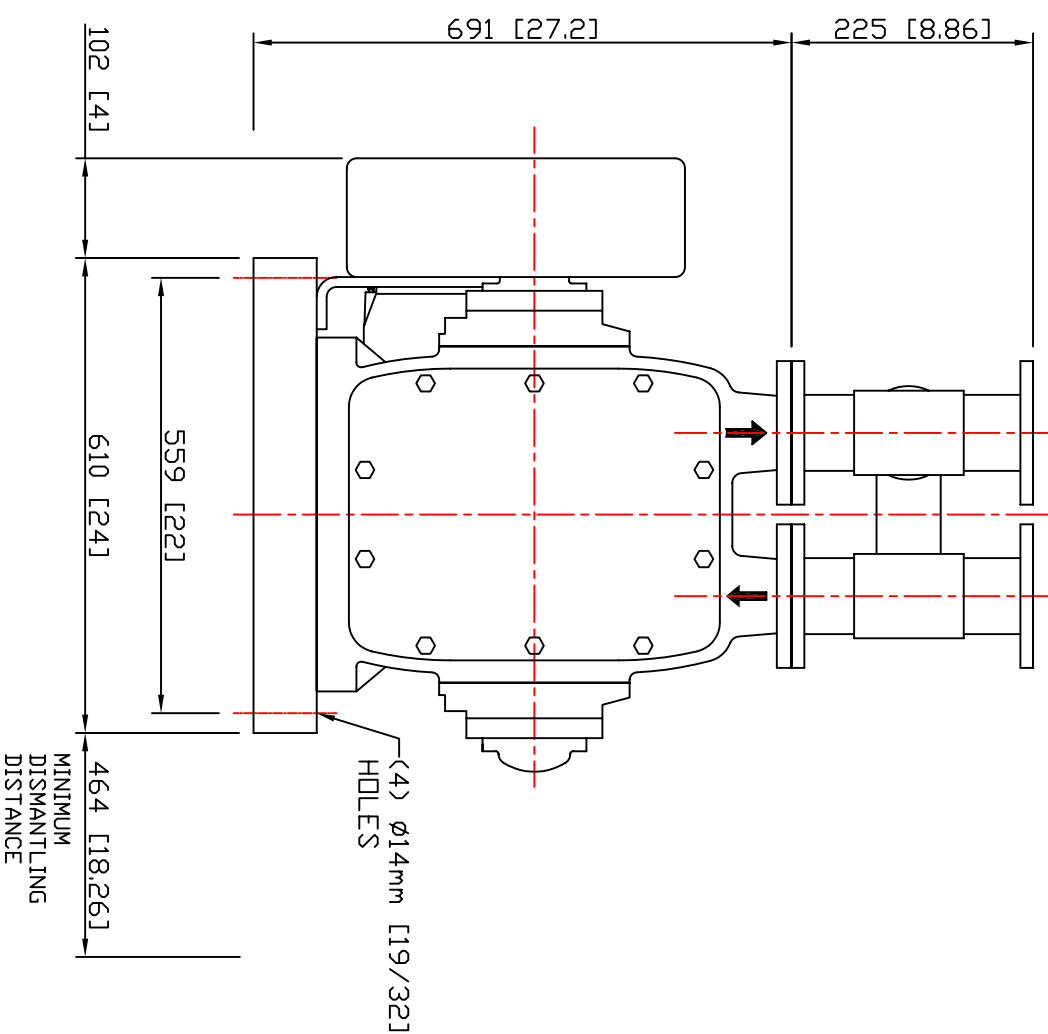
76mm [3"] SUCTION & DELIVERY BRANCHES

BY-PASS RELIEF VALVE (OPTIONAL)



105 [4.13]

105 [4.13]



MEGATOR

MEGATOR CORPORATION
 562 ALPHA DRIVE
 PITTSBURGH
 PA 15238
 www.megator.com
 email - info@megator.com
 Tel - 412.963.9200
 Fax - 412.963.9214

L&H300 BELT DRIVEN
 PUMP SETS

Data Sheet

ALL DIMENSIONS IN MILLIMETRES (INCHES)
 NOT TO BE USED FOR INSTALLATION