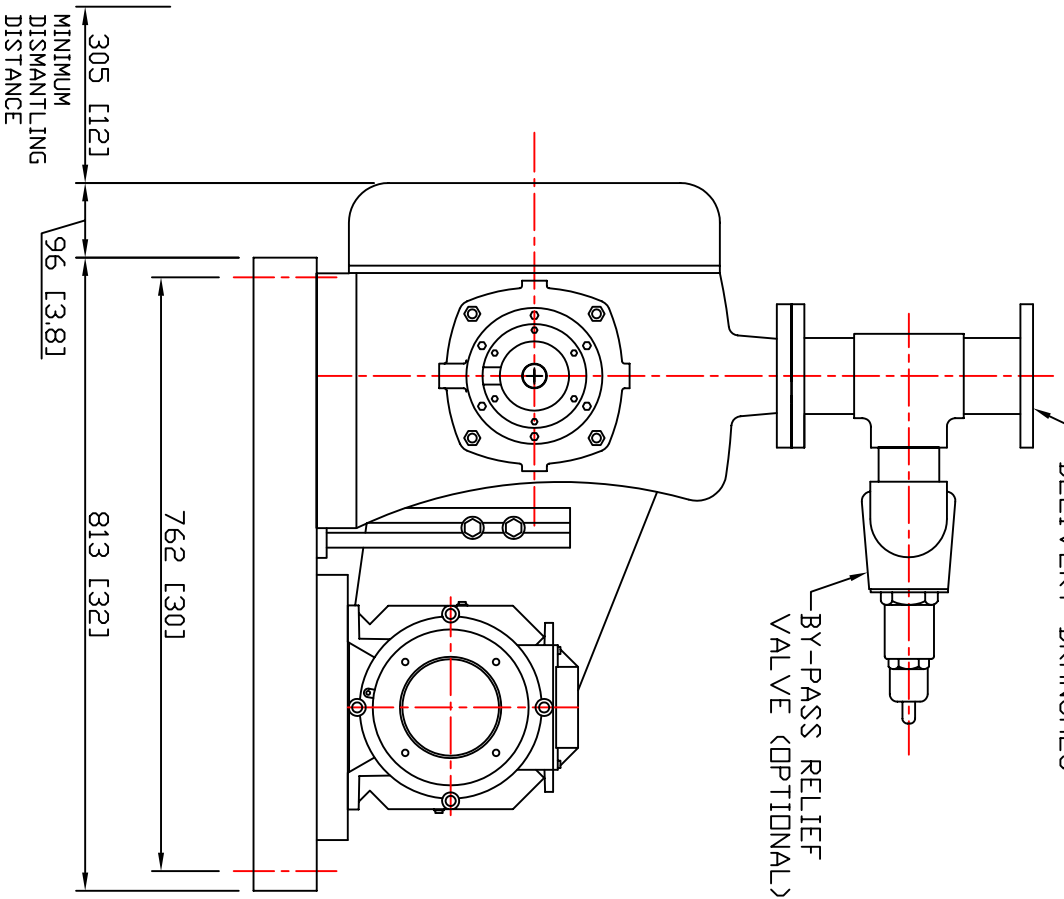


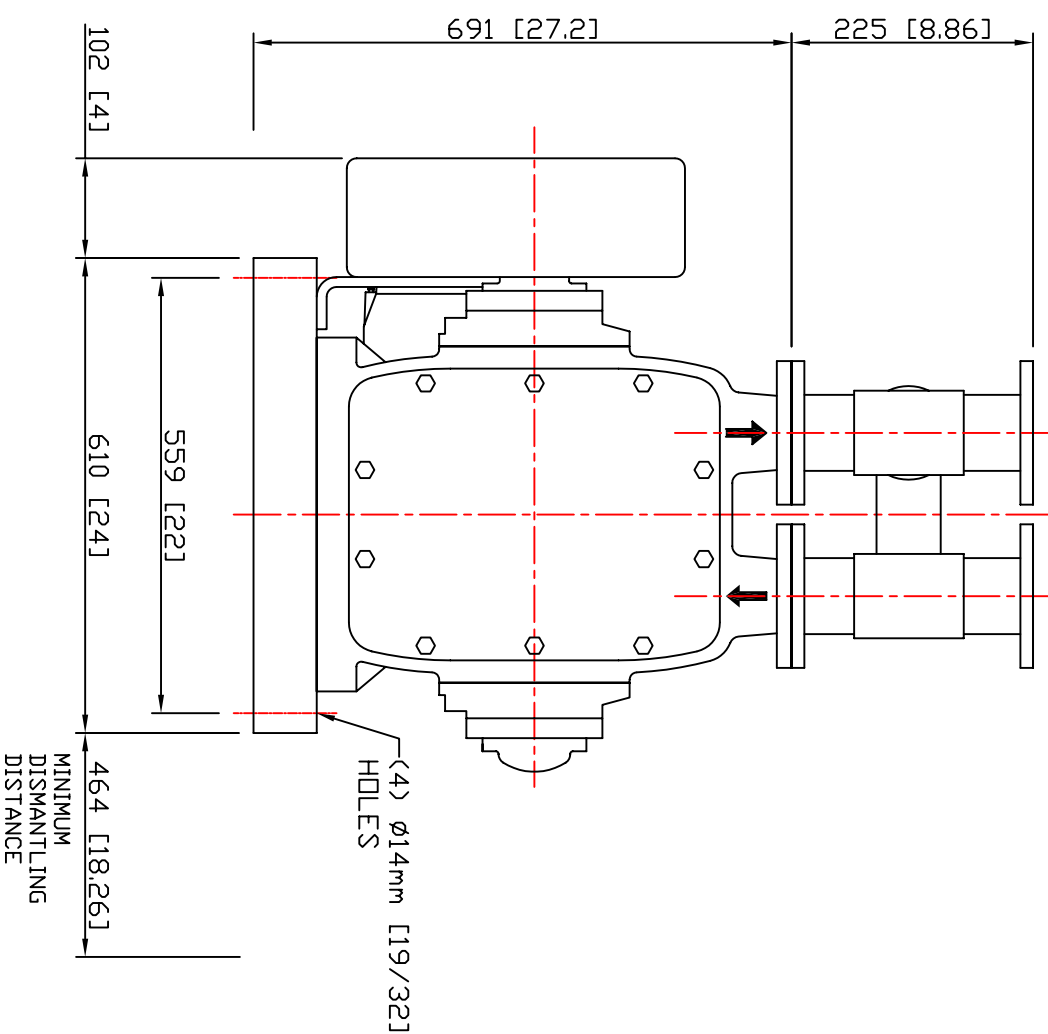
76mm [3"] SUCTION & DELIVERY BRANCHES

BY-PASS RELIEF VALVE (OPTIONAL)



105 [4.13]

105 [4.13]



# MEGATOR

MEGATOR CORPORATION  
 562 ALPHA DRIVE  
 PITTSBURGH  
 PA 15238  
 www.megator.com  
 email - info@megator.com  
 Tel - 412.963.9200  
 Fax - 412.963.9214

L&H300 BELT DRIVEN  
 PUMP SETS

Data Sheet

ALL DIMENSIONS IN MILLIMETRES (INCHES)  
 NOT TO BE USED FOR INSTALLATION