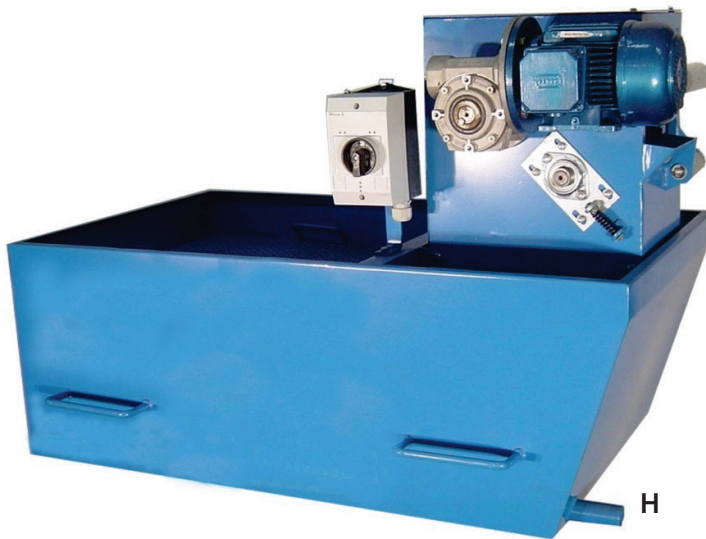
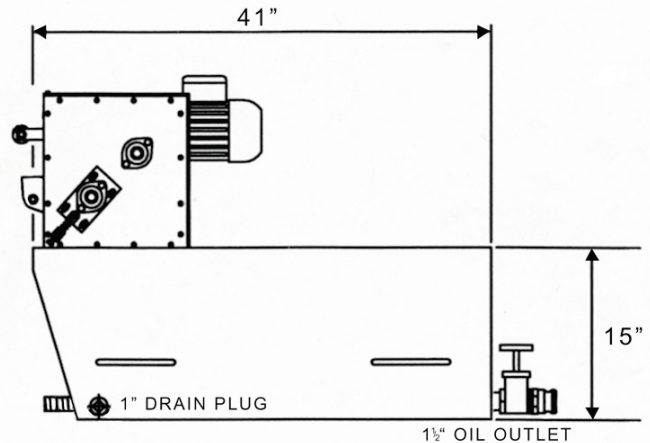
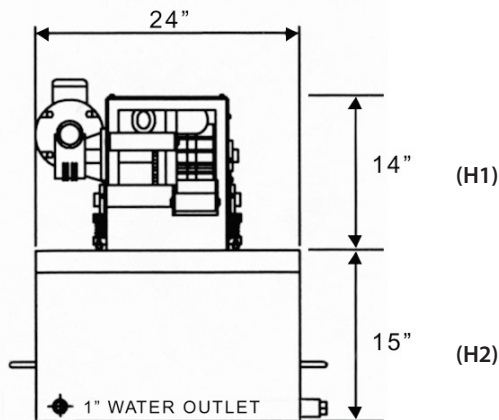


The Megator 850 Rope Mop Oil Skimmer can skim large areas and recover 230 gallons of oil per hour from the surface of water using a rope mop. This floating mop (up to 120m.) is driven by a drive unit which also squeezes the oil out of the rope for recovery. Rope mop skimmers use a unique fibrillated polypropylene rope which is oleophilic (attracts oil) to remove the floating oils in a wide range of spill clean-up or industrial applications and have proven their reliability in thousands of applications worldwide. It will skim animal, vegetable or mineral oil. The drive unit is mounted on an integral separator which returns any skimmed water and ensures that only pure oil is recovered.



### Technical Specifications

Oil Recovery	230/gal/hr
Rope Diameter	6"
Max. Rope Length	390ft
Max. Lift	150ft
Motor Power	0.5 HP
Motor RPM	1440 rpm
Rope Speed	65ft/min
Guide Pulley	FGP 300
Drive Options	Electric/air
Weight Inc. Motor	68lbs
Height (H1)	14"
Height (H2)	15"
Width (W)	24"
Length (L)	41"



## 850 Rope Mop Oil Skimmer Accessories

The 850 can be supplied with an optional stand to allow gravity draining of the oil into a drum for disposal.

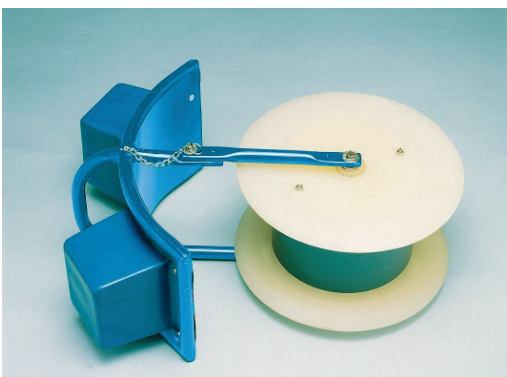


White Rope	Blue Rope
Petrol	Gear Oil
Engine Oil	Soaps
Jet Fuel	Fuel Oil
Paraffin	Vegetable Oil
Diesel Oil	Crude Oil
Solvents	Grease
Turpentine	Hydraulic Oil

### Rope Mops

**WHITE** - Used for the skimming of light and medium oils. This softer rope gives optimum performance and recovery and is bulkier than the blue rope.

**BLUE** - Used for the skimming of heavy oils - this coarse rope gives better skimming and grip in the drive unit and has a flat profile. Oilskim ropes are manufactured from fibrillated polypropylene which has a large surface area and ensures excellent oil recovery rates. Oilskim ropes are sold in multiples of 15ft replaced with Minimum rope length 2 metres and maximum rope length 120 metres.



### Floating Guide Pulleys

Floating Guide Pulleys allow the skimmer to skim larger surface areas by guiding the oilskim rope over the surface of the oil. The floating guide pulley floats independently and need only be tied to a wall or other fastening point. If the level in the separator fluctuates then a sliding anchor pillar can be used.

