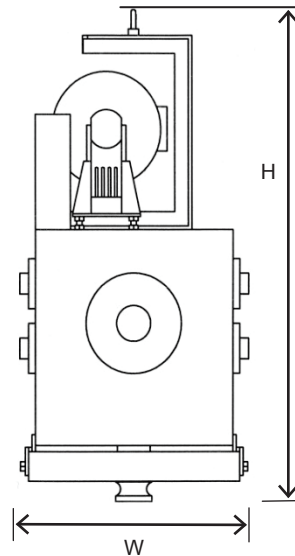
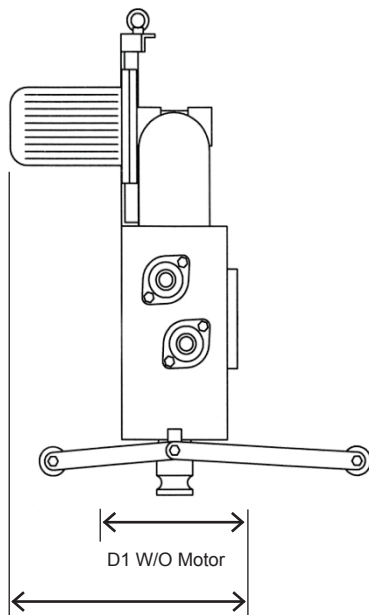


The Megator 300 Rope Mop Oil Skimmer recovers floating oils from the surface of water using a rope mop. This floating mop is driven over the surface of the oil by a drive unit which also squeezes the oil out of the rope for recovery. Rope mop skimmers use a unique fibrillated polypropylene rope which is oleophilic (attracts oil) to remove the floating oils in a wide range of spill clean-up or industrial applications and have proven their reliability in thousands of applications worldwide. The rope mop system is ideal for recovering oil over small or large areas, in separators or pits, harbors and dams in any climate and in a complete range of viscosities.



### Technical Specifications

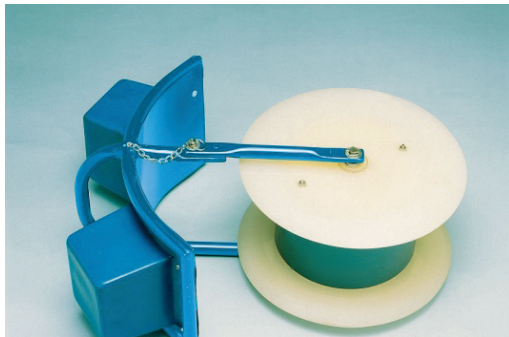
Oil Recovery	82 gal/hr
Rope Diameter	6"
Max. Rope Length	240 ft
Max. Lift	120 ft
Motor Power	0.5 HP
Motor RPM	1440 rpm
Rope Speed	30 ft/min
Guide Pulley	FGP 300
Drive Options	Electric/air
Weight Inc. Motor	67 lbs
Height (H1)	27"
Depth (H2)	6"
Depth (W)	15"
Width (W)	12"



## 300 Rope Mop Oil Skimmer Accessories

### Stand & Separating Tank

The optional stand and separating tank allows the skimmer to be hung over the area which needs to be skimmed while the compact integral separating tank separates and returns any water picked up by the rope mop. Only pure oil leaves the separator for re-refining or disposal.



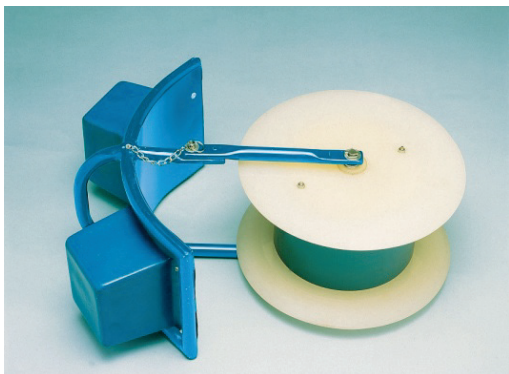
White Rope	Blue Rope
Petrol	Gear Oil
Engine Oil	Soaps
Jet Fuel	Fuel Oil
Parrafin	Vegetable Oil
Diesel Oil	Crude Oil
Solvents	Grease
Turpentine	Hydraulic Oil

### Rope Mops

**WHITE** - Used for the skimming of light and medium oils. This softer rope gives optimum performance and recovery and is bulkier than the blue rope.

**BLUE** - Used for the skimming of heavy oils - this coarse rope gives better skimming and grip in the drive unit and has a flat profile.

Oilskim ropes are manufactured from fibrillated polypropylene which has a large surface area and ensures excellent oil recovery rates. Oilskim ropes are sold in multiples of 15 ft.



### Floating Guide Pulleys

Floating Guide Pulleys allow the skimmer to skim larger surface areas by guiding the oilskim rope over the surface of the oil. The floating guide pulley floats independently and need only be tied to a wall or other fastening point. If the level in the separator fluctuates then a sliding anchor pillar can be used.

