



MEGATOR

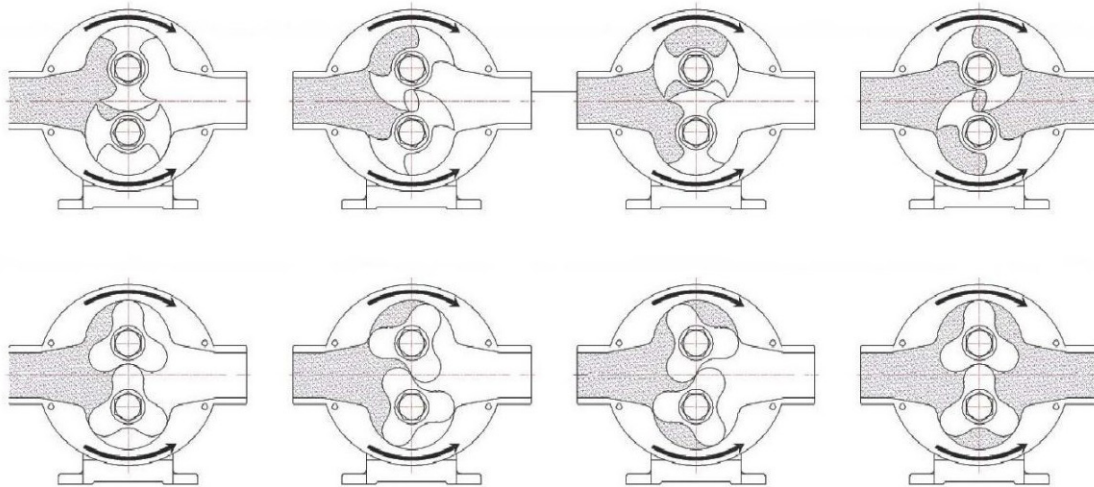
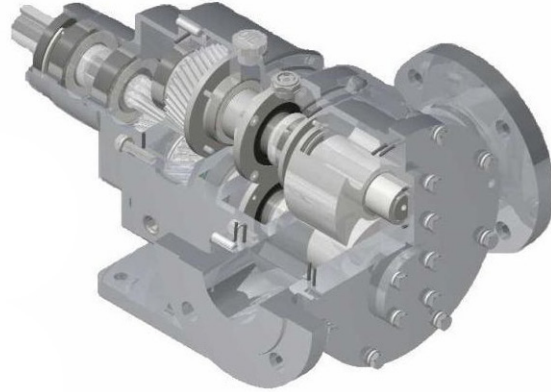
INNOVATIVE PUMPS & SYSTEMS SINCE 1946

Rotary Lobe Pump

Industrial Rotary Lobe Pump

Specializing in pumping viscous and abrasive fluids

- > Capacities up to 1540 gpm
- > Viscosities up to 1,000,000 cP
- > Temperatures up to 842 F
- > Differential Pressures up to 435 psi
- > Solids up to 2.4 inches
- > Inlet/ Outlet sizes up to 10 inches



- > Low noise Levels
- > Easy to Maintain
- > Heavy Duty Construction
- > Excellent Chemical resistance
- > Tolerates Dry Running
- > Low Shear Operation



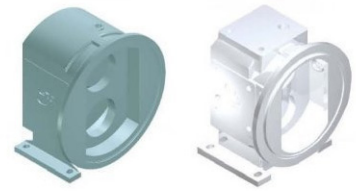
The Megator Lobe Pump gearbox section uses highly wear resistant, heat treated gears to ensure high torque transfer and low noise levels.

A wide selection of materials are available for the Megator Lobe Pump. The materials range from carbon steel, bronze 304 Stainless, 316 Stainless, Titanium and Hastelloy. This allows us to offer a pump that is compatible with an array of corrosive and abrasive fluids. In highly abrasive applications, we offer replaceable wear plates.

Megator offers a range of shapes and materials for rotors

- > 2 or 3 Vane
- > Round or Bucket Shaped
- > Metallic, Elastomeric or Coated Construction

Megator has a host of seal options. From many different mechanical faces and elastomer combinations as well as gland packing, we can offer a solution for your temperature, viscosity and fluid type. Mechanical primary seals operate in a fluid bath together with secondary lip seals to ensure outstanding cooling and flushing seal faces.



▲ Standard V Design



▲ Multi V Design
 - Shaft Supported End Cover
 - For High Pressure Application

Pump Model	Inlet/Outlet Size	Capacity – 500 cP @ 480 rpm	Max Diff psi
L20	1"	8 gpm	145
L25	1"	11 gpm	218
L32	1.25"	14 gpm	218
L40	1.5"	25 gpm	435
L50	2"	40 gpm	435
L65	2.5"	53 gpm	435
L80	3"	91 gpm	435
L100	4"	125 gpm	435
L120	5"	181 gpm	435
L125	5"	263 gpm	435
L150	6"	356 gpm	435
L200	8"	651 gpm	435
L250	10"	912 gpm	435

